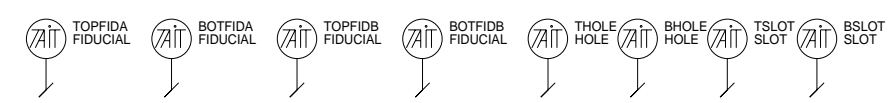
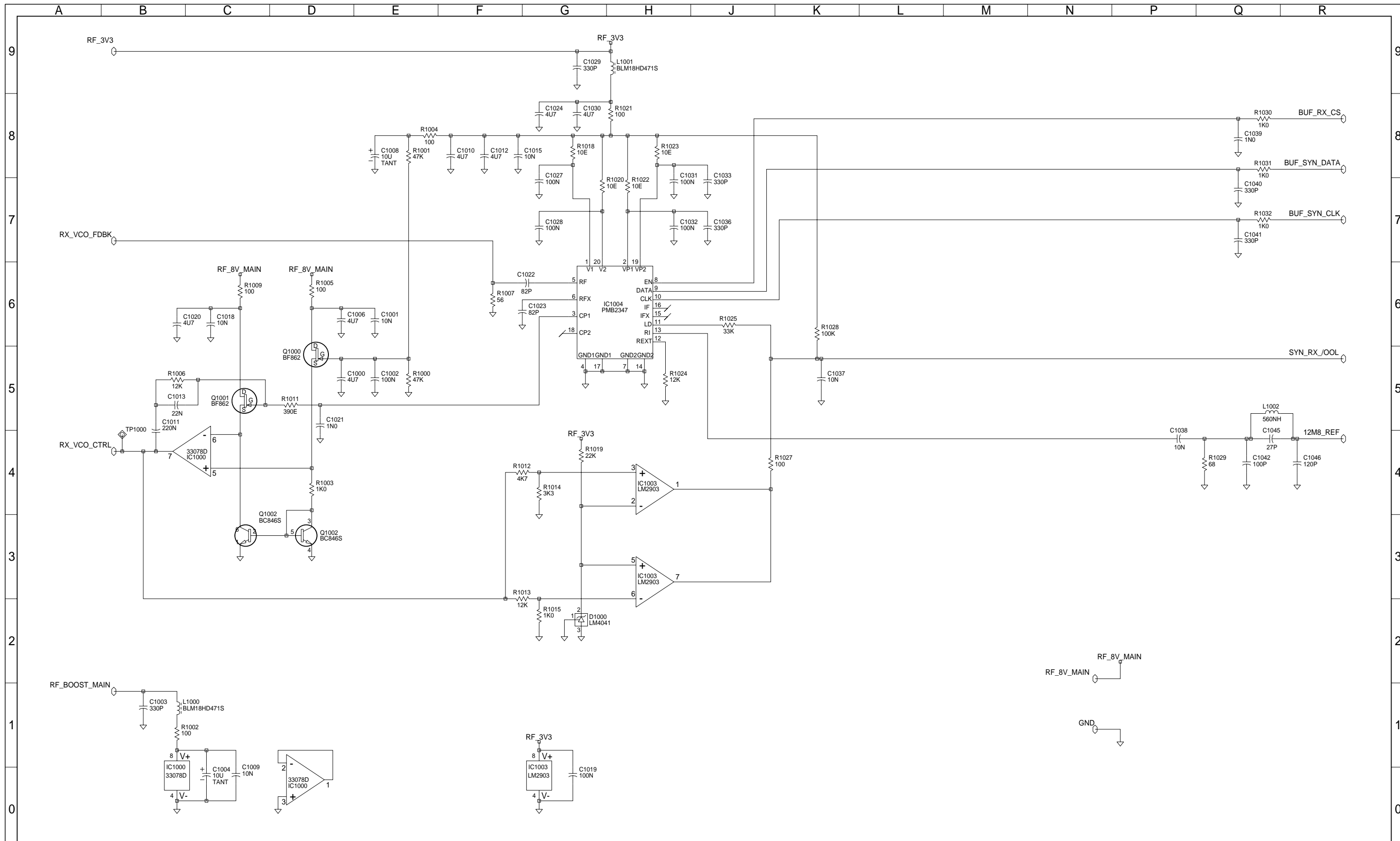


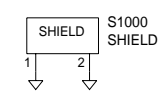
08A	ECO	101200257	CJK	SH			28/11/03
07A	ECO	101200240	CJK	SH			23/09/03
06A	ECO	101200068	CJK	SH			13/05/03
05A	DCO	02025-005	CJK	SH			06/03/03
04A	DCO	02025-004	CJK	SH			28/11/02
03A	DCO	02025-002 & 003	CJK	SH			17/10/02
02A	DCO	02025-001	CJK	SH			30/08/02
01B	SCHEMATICS REDRAWN		PAUL G				20/06/02
01A	CLONED FROM 226-00252-01		PAUL G				12/06/02
REV/ISS	AMENDMENTS		DRAWN	CHKD	D.O.	APVD	DATE



© TAIT ELECTRONICS  
 TB8100 RECITER TOP LEVEL  
 IPN: 220-02025-08 ISSUE: A ID: 2.S.C. 1  
 PROJECT: TB8100 DESIGNER: SH FILE NAME: 0202508a FILE DATE: 16-Dec-03 NO.SHEETS: 15

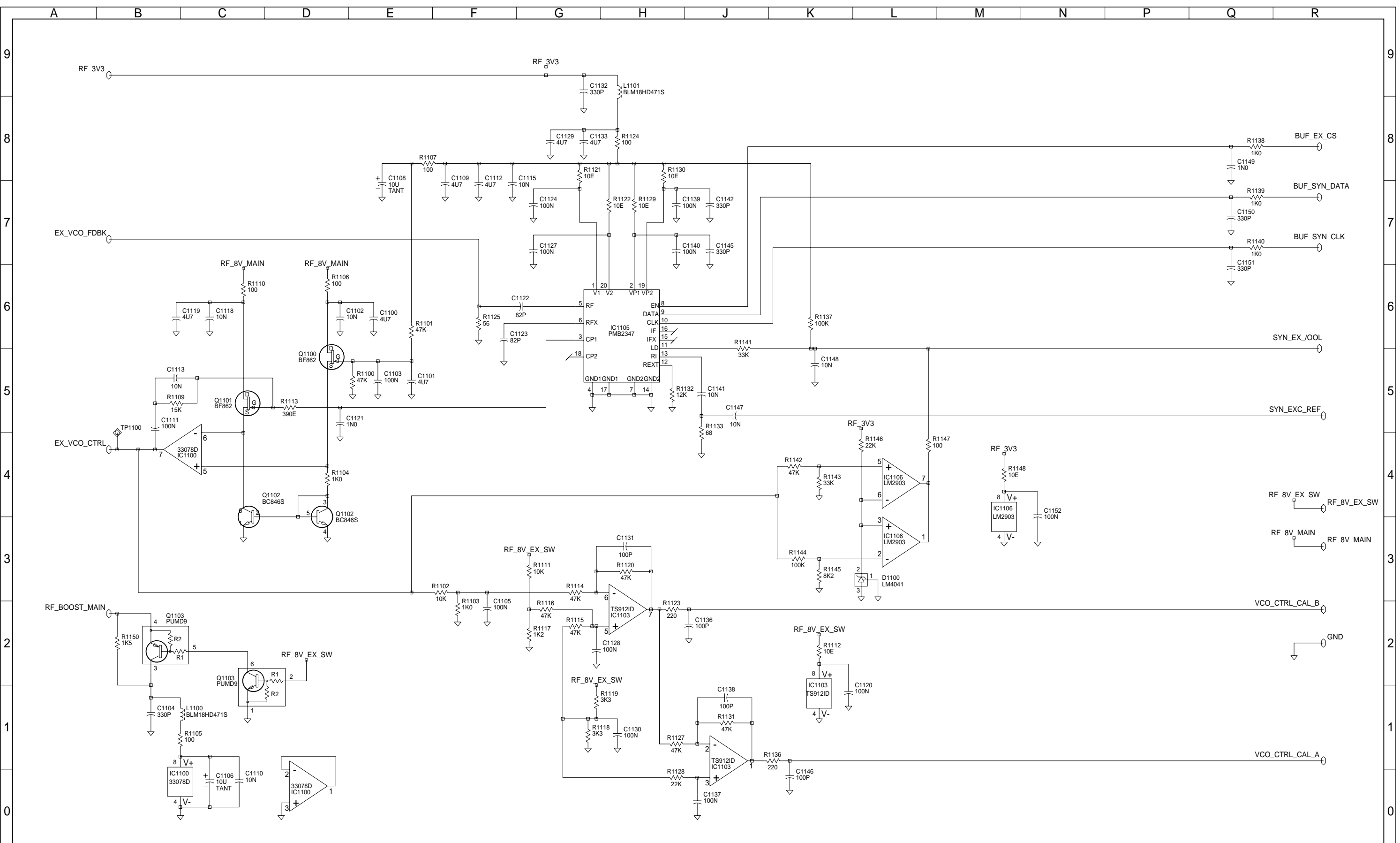


08A	ECO	101200257	CJK	SH		28/11/03
07A	ECO	101200240	CJK	SH		23/09/03
06A	ECO	101200068	CJK	SH		13/05/03
05A	DCO	02025-005	CJK	SH		06/03/03
04A	DCO	02025-004	CJK	SH		28/11/02
03A	DCO	02025-002 & 003	CJK	SH		17/10/02
02A	DCO	02025-001	CJK	SH		30/08/02
01B	SCHEMATICS	REDRAWN	PAUL G			20/06/02
01A	CLONED FROM	226-00252-01	PAUL G			12/06/02
REV/ISS	AMENDMENTS		DRAWN	CHKD	D.O.	APVD DATE

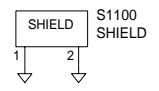


© TAIT ELECTRONICS  
 TB8100  
 RECEIVER SYNTH

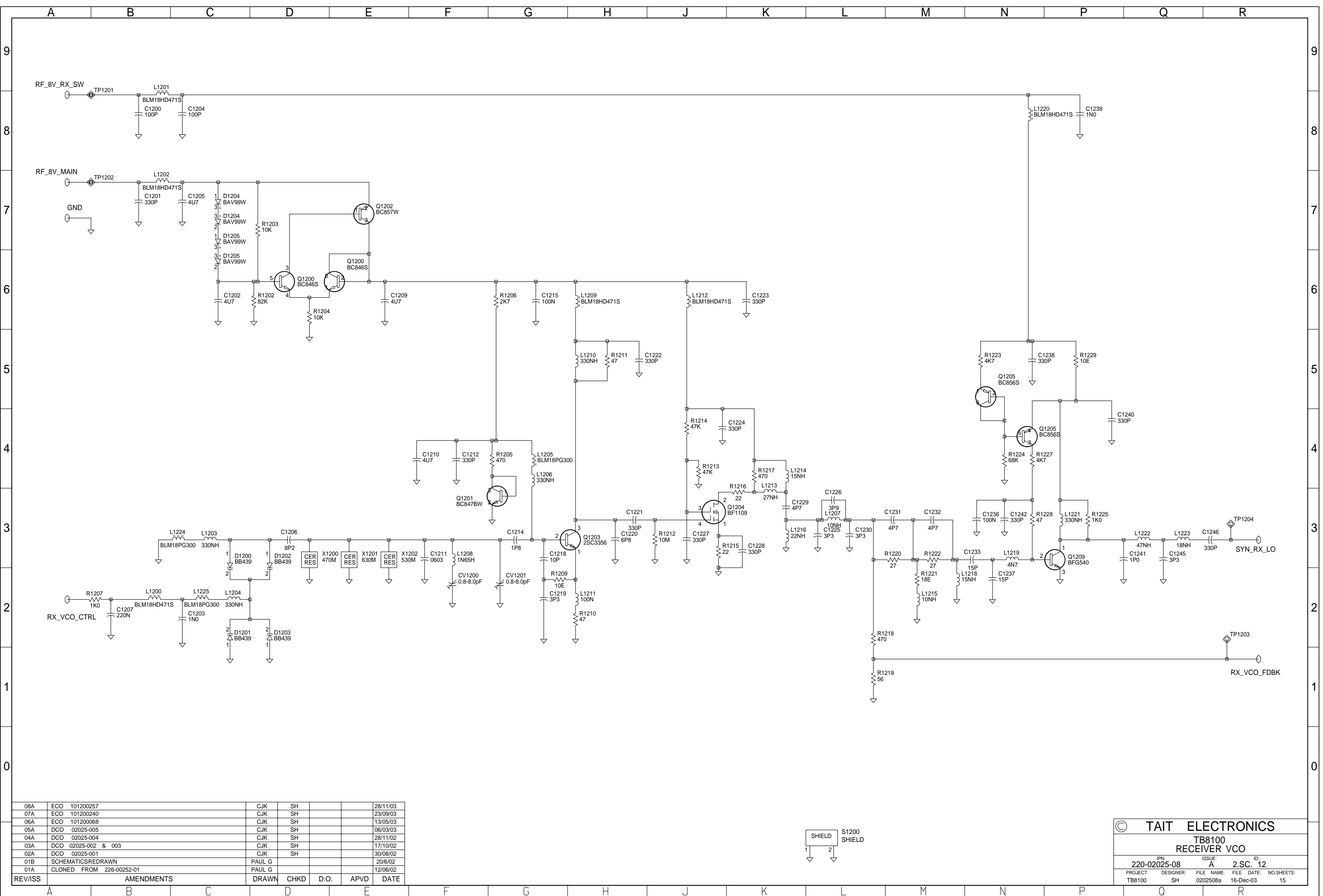
IPN: 220-02025-08 ISSUE: A 2.SC. 10 ID:  
 PROJECT: TB8100 DESIGNER: SH FILE NAME: 0202508a FILE DATE: 16-Dec-03 NO.SHEETS: 15



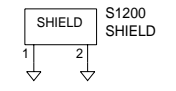
08A	ECO	101200257	CJK	SH		28/11/03
07A	ECO	101200240	CJK	SH		23/09/03
06A	ECO	101200068	CJK	SH		13/05/03
05A	DCO	02025-005	CJK	SH		06/03/03
04A	DCO	02025-004	CJK	SH		28/11/02
03A	DCO	02025-002 & 003	CJK	SH		17/10/02
02A	DCO	02025-001	CJK	SH		30/08/02
01B	SCHEMATICS	REDRAWN	PAUL G			20/06/02
01A	CLONED	FROM 226-00252-01	PAUL G			12/06/02
REV/ISS	AMENDMENTS		DRAWN	CHKD	D.O.	APVD DATE



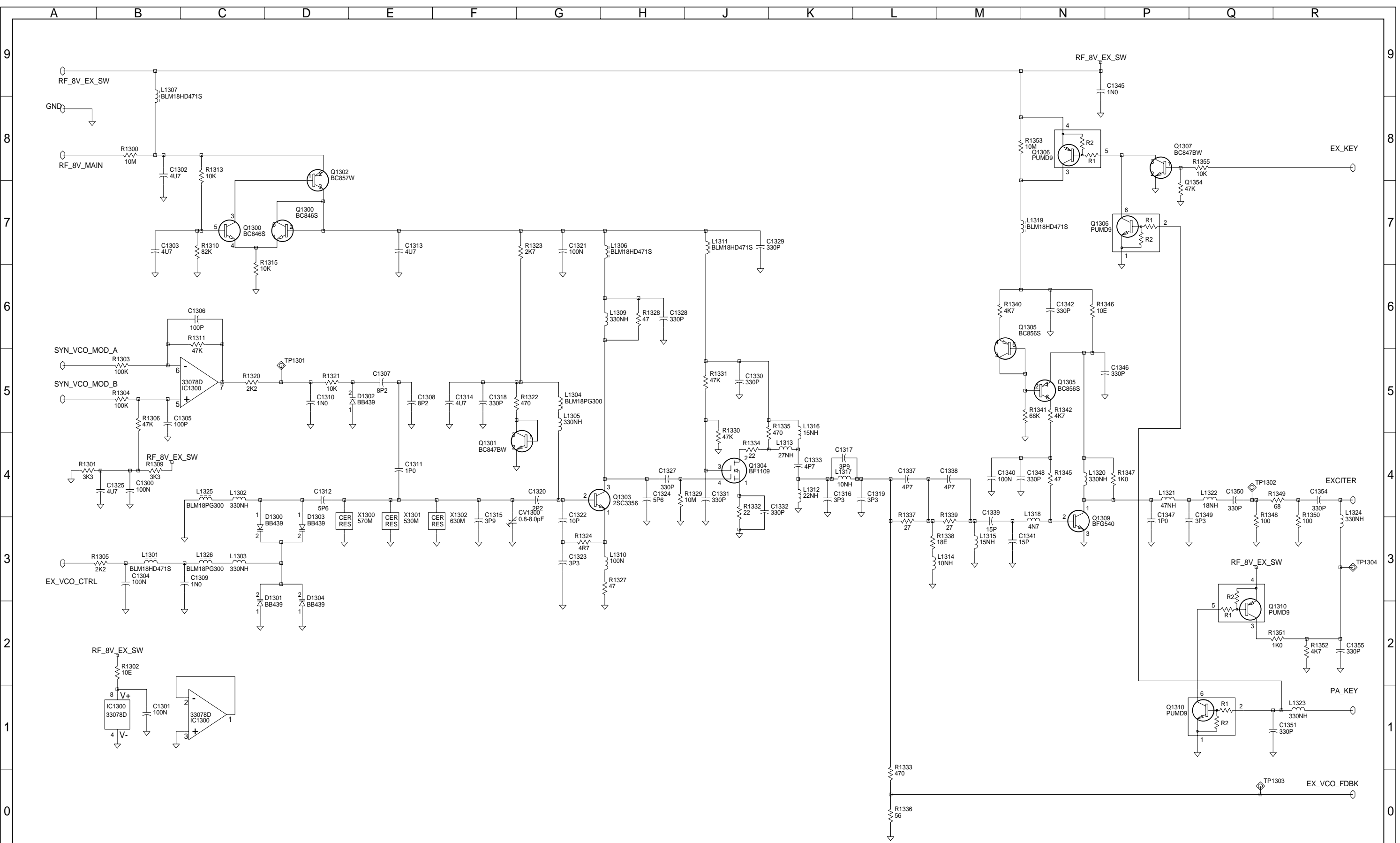
© TAIT ELECTRONICS  
**TB8100**  
**EXCITER SYNTH**  
 IPN: 220-02025-08 ISSUE: A 2.SC. 11 ID:  
 PROJECT: TB8100 DESIGNER: SH FILE NAME: 0202508a FILE DATE: 16-Dec-03 NO.SHEETS: 15



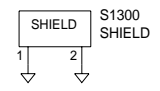
08A	ECO	101200257	CJK	SH		28/11/03
07A	ECO	101200240	CJK	SH		23/09/03
06A	ECO	101200068	CJK	SH		13/05/03
05A	DCO	02025-005	CJK	SH		06/03/03
04A	DCO	02025-004	CJK	SH		28/11/02
03A	DCO	02025-002 & 003	CJK	SH		17/10/02
02A	DCO	02025-001	CJK	SH		30/08/02
01B	SCHEMATICS	REDRAWN	PAUL G			20/6/02
01A	CLONED	FROM 226-00252-01	PAUL G			12/06/02
REV/ISS	AMENDMENTS		DRAWN	CHKD	D.O.	APVD DATE



© TAIT ELECTRONICS  
 TB8100  
 RECEIVER VCO  
 IPN: 220-02025-08 ISSUE: A ID: 2.SC. 12  
 PROJECT: TB8100 DESIGNER: SH FILE NAME: 0202508a FILE DATE: 16-Dec-03 NO.SHEETS: 15



08A	ECO	101200257	CJK	SH		28/11/03
07A	ECO	101200240	CJK	SH		23/09/03
06A	ECO	101200068	CJK	SH		13/05/03
05A	DCO	02025-005	CJK	SH		06/03/03
04A	DCO	02025-004	CJK	SH		28/11/02
03A	DCO	02025-002 & 003	CJK	SH		17/10/02
02A	DCO	02025-001	CJK	SH		30/08/02
01B	SCHEMATICS	REDRAWN	PAUL G			20/06/02
01A	CLONED FROM	226-00252-01	PAUL G			12/06/02
REV/ISS	AMENDMENTS		DRAWN	CHKD	D.O.	APVD DATE

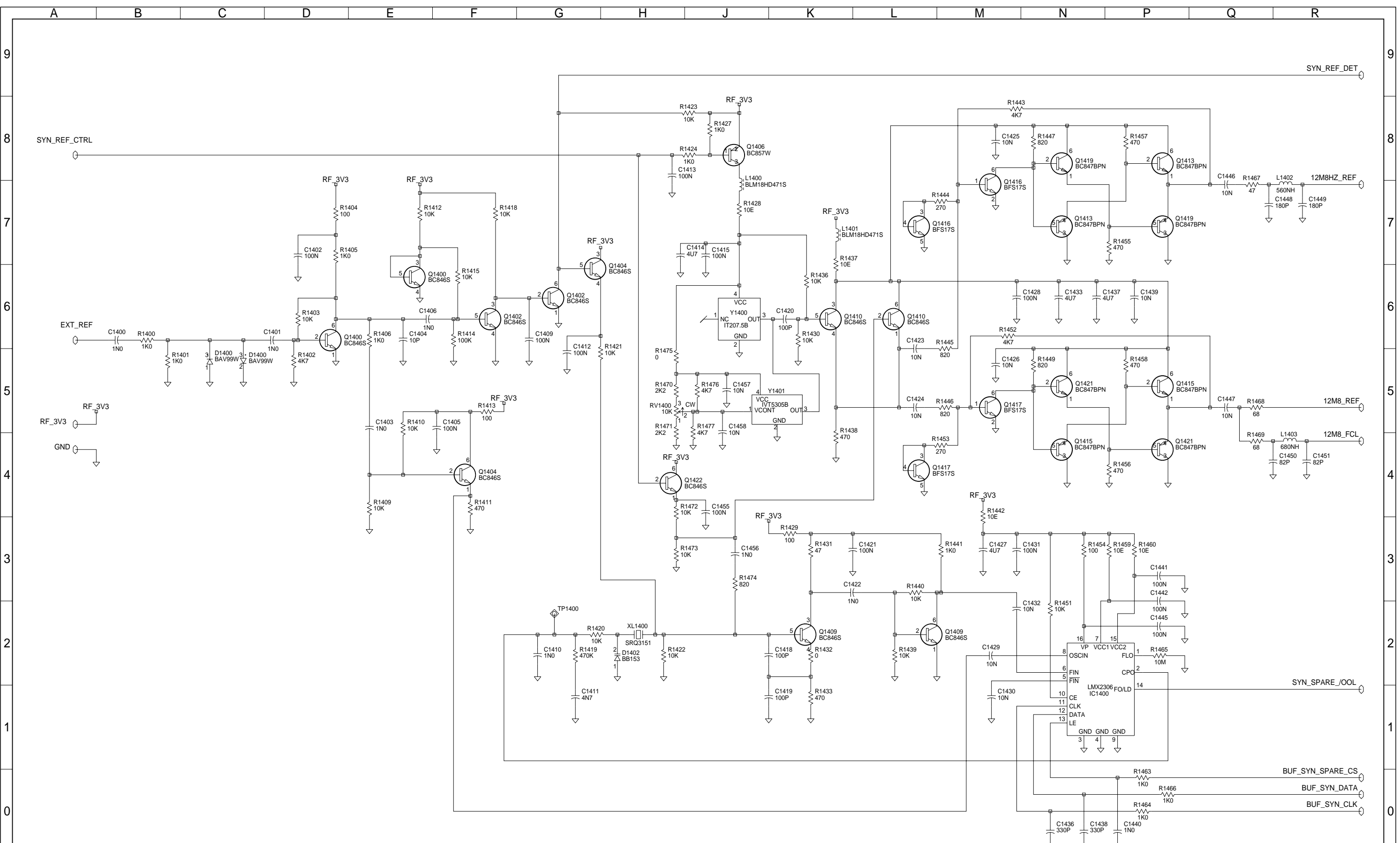


© TAIT ELECTRONICS

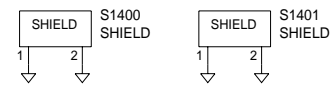
TB8100  
EXCITER VCO

IPN: 220-02025-08    ISSUE: A    ID: 2.SC. 13

PROJECT: TB8100    DESIGNER: SH    FILE NAME: 0202508a    FILE DATE: 16-Dec-03    NO.SHEETS: 15



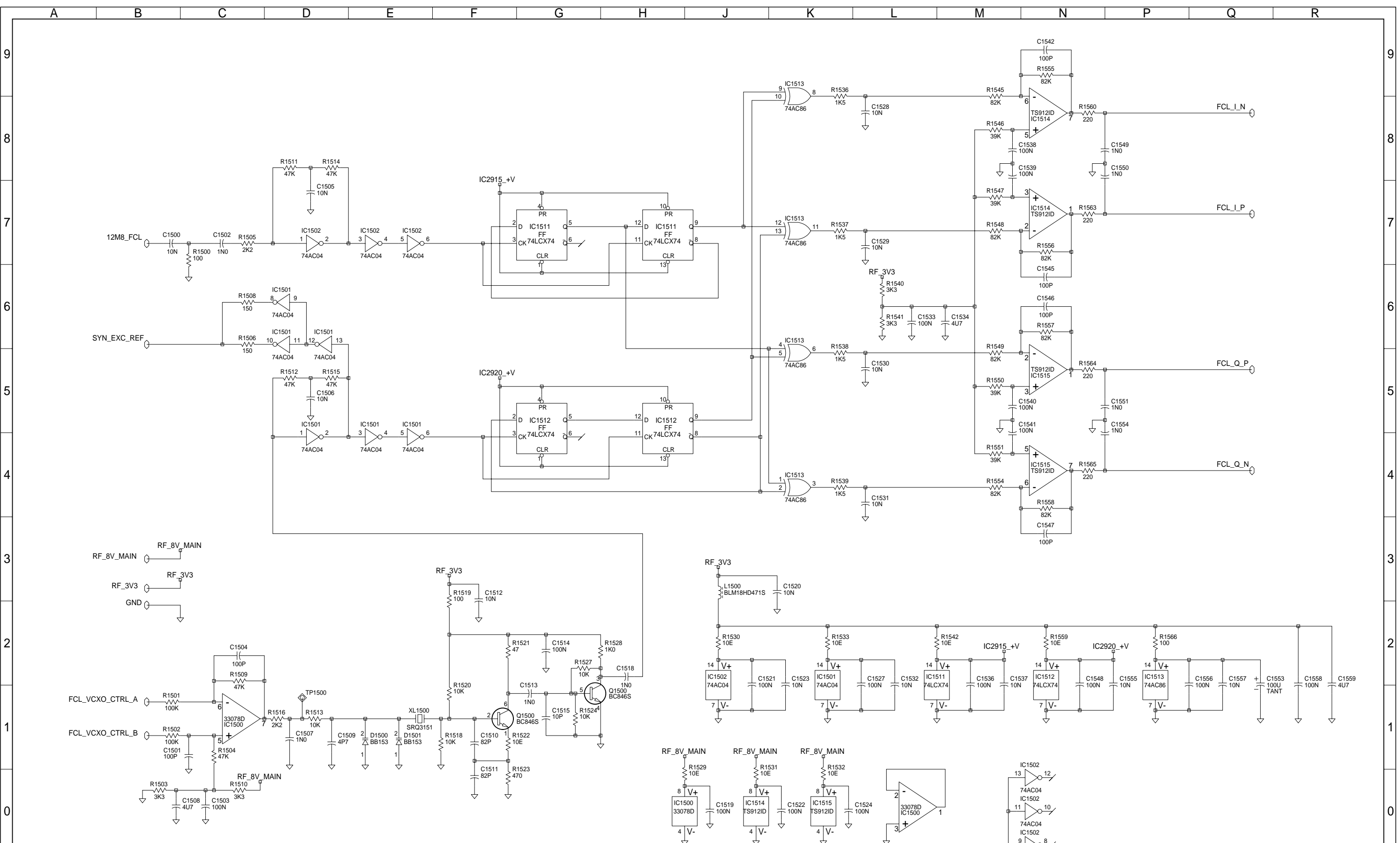
08A	ECO	101200257	CJK	SH			28/11/03
07A	ECO	101200240	CJK	SH			23/09/03
06A	ECO	101200068	CJK	SH			13/05/03
05A	DCO	02025-005	CJK	SH			06/03/03
04A	DCO	02025-004	CJK	SH			28/11/02
03A	DCO	02025-002 & 003	CJK	SH			17/10/02
02A	DCO	02025-001	CJK	SH			30/08/02
01B	SCHEMATICS REDRAWN		PAUL G				20/06/02
01A	CLONED FROM 226-00252-01		PAUL G				12/06/02
REV/ISS	AMENDMENTS		DRAWN	CHKD	D.O.	APVD	DATE



© TAIT ELECTRONICS  
 TB8100  
 EXTERNAL REFERENCE

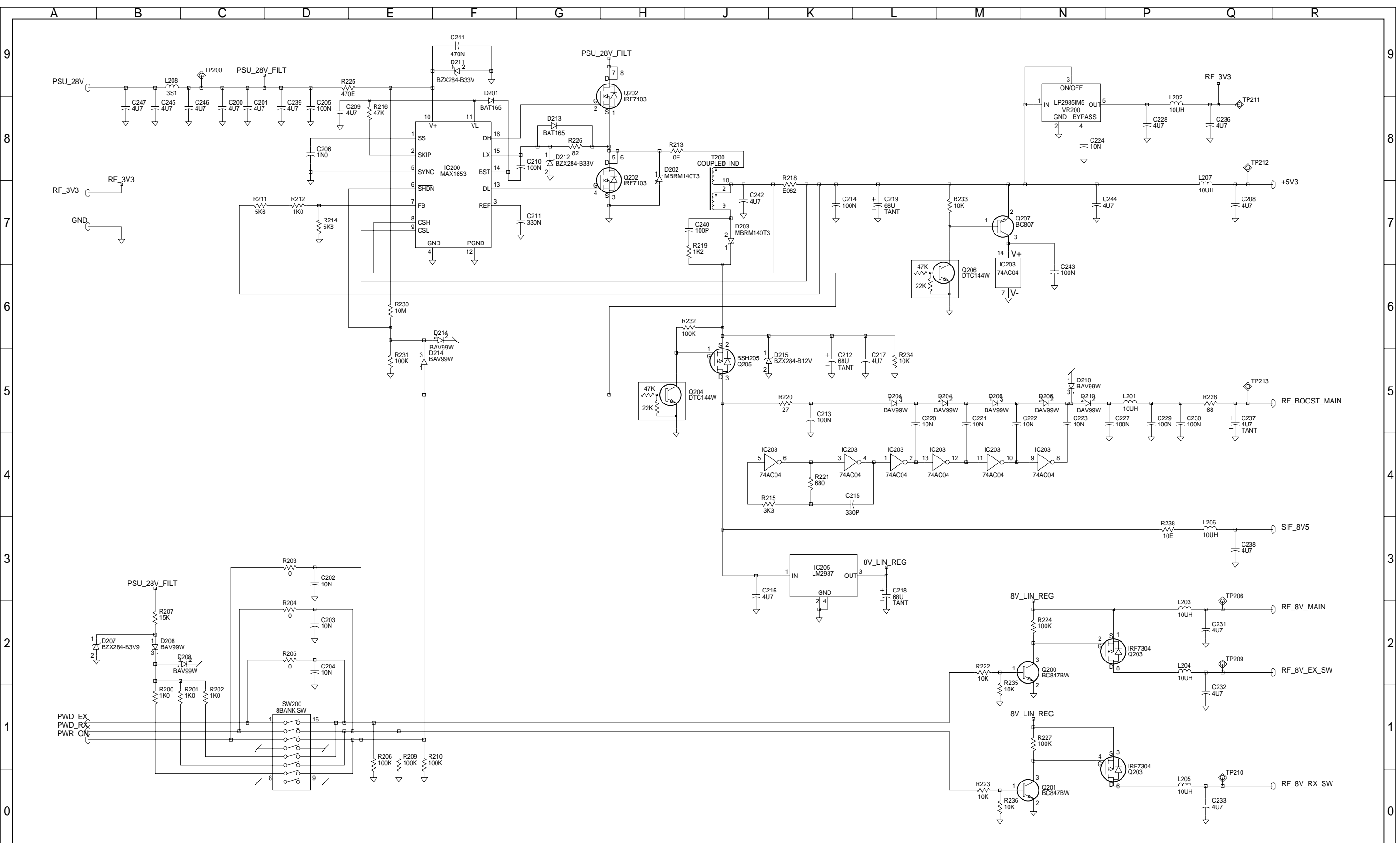
IPN: 220-02025-08 ISSUE: A ID: 2.SC. 14

PROJECT: TB8100 DESIGNER: SH FILE NAME: 0202508a FILE DATE: 16-Dec-03 NO. SHEETS: 15



08A	ECO	101200257	CJK	SH		28/11/03
07A	ECO	101200240	CJK	SH		23/09/03
06A	ECO	101200068	CJK	SH		13/05/03
05A	DCO	02025-005	CJK	SH		06/03/03
04A	DCO	02025-004	CJK	SH		28/11/02
03A	DCO	02025-002 & 003	CJK	SH		17/10/02
02A	DCO	02025-001	CJK	SH		30/08/02
01B	SCHEMATICS	REDRAWN	PAUL G			20/06/02
01A	CLONED FROM	226-00252-01	PAUL G			12/06/02
REV/ISS	AMENDMENTS		DRAWN	CHKD	D.O.	APVD DATE

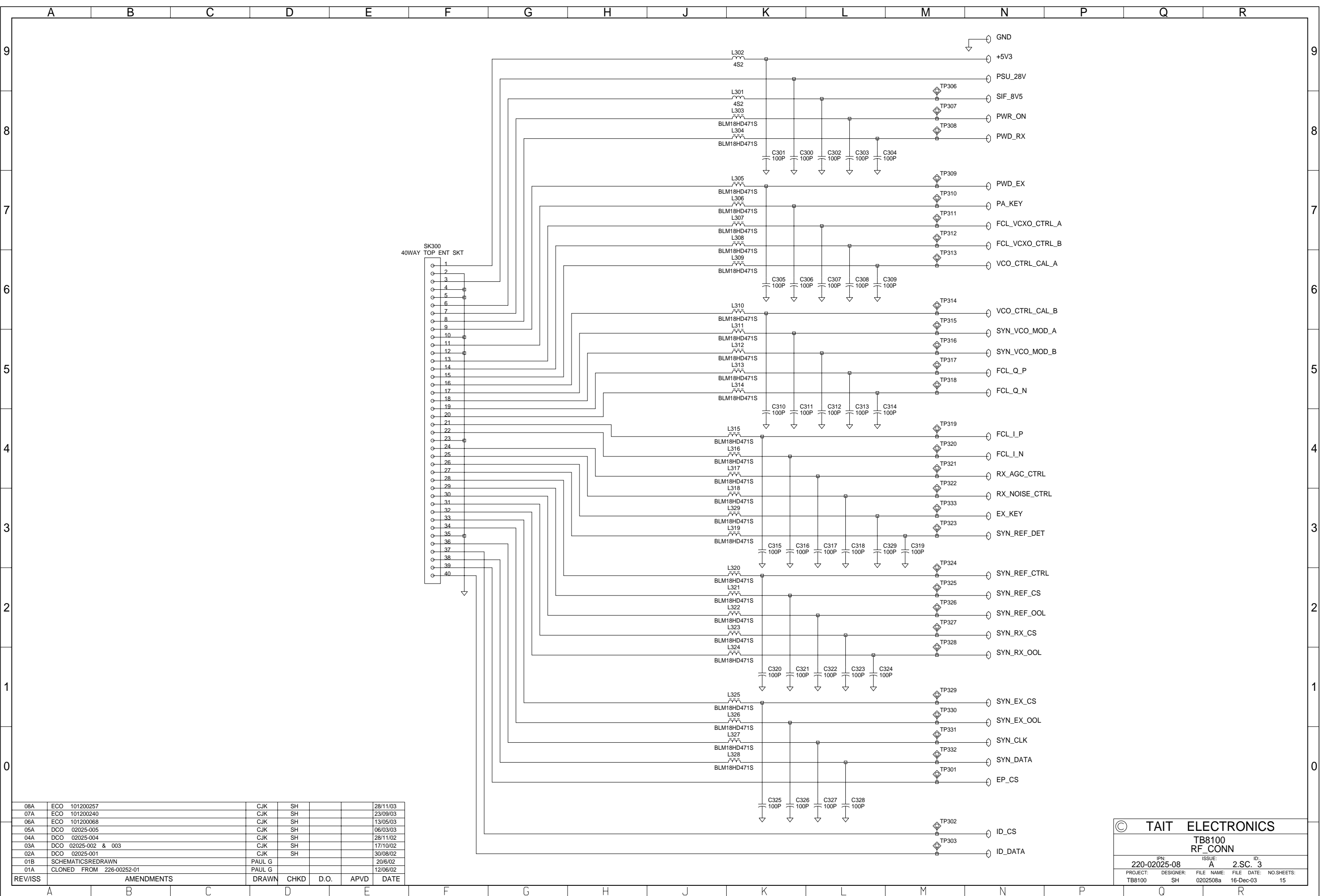
© TAIT ELECTRONICS  
 TB8100  
 FREQUENCY CONTROL LOOP  
 IPN: A ISSUE: 2.SC. 15  
 PROJECT: TB8100 DESIGNER: SH FILE NAME: 0202508a FILE DATE: 16-Dec-03 NO.SHEETS: 15



08A	ECO	101200257	CJK	SH		28/11/03
07A	ECO	101200240	CJK	SH		23/09/03
06A	ECO	101200068	CJK	SH		13/05/03
05A	DCO	02025-005	CJK	SH		06/03/03
04A	DCO	02025-004	CJK	SH		28/11/02
03A	DCO	02025-002 & 003	CJK	SH		17/10/02
02A	DCO	02025-001	CJK	SH		30/08/02
01B	SCHEMATICS REDRAWN		PAUL G			20/06/02
01A	CLONED FROM 226-00252-01		PAUL G			12/06/02
REV/ISS	AMENDMENTS		DRAWN	CHKD	D.O.	APVD DATE

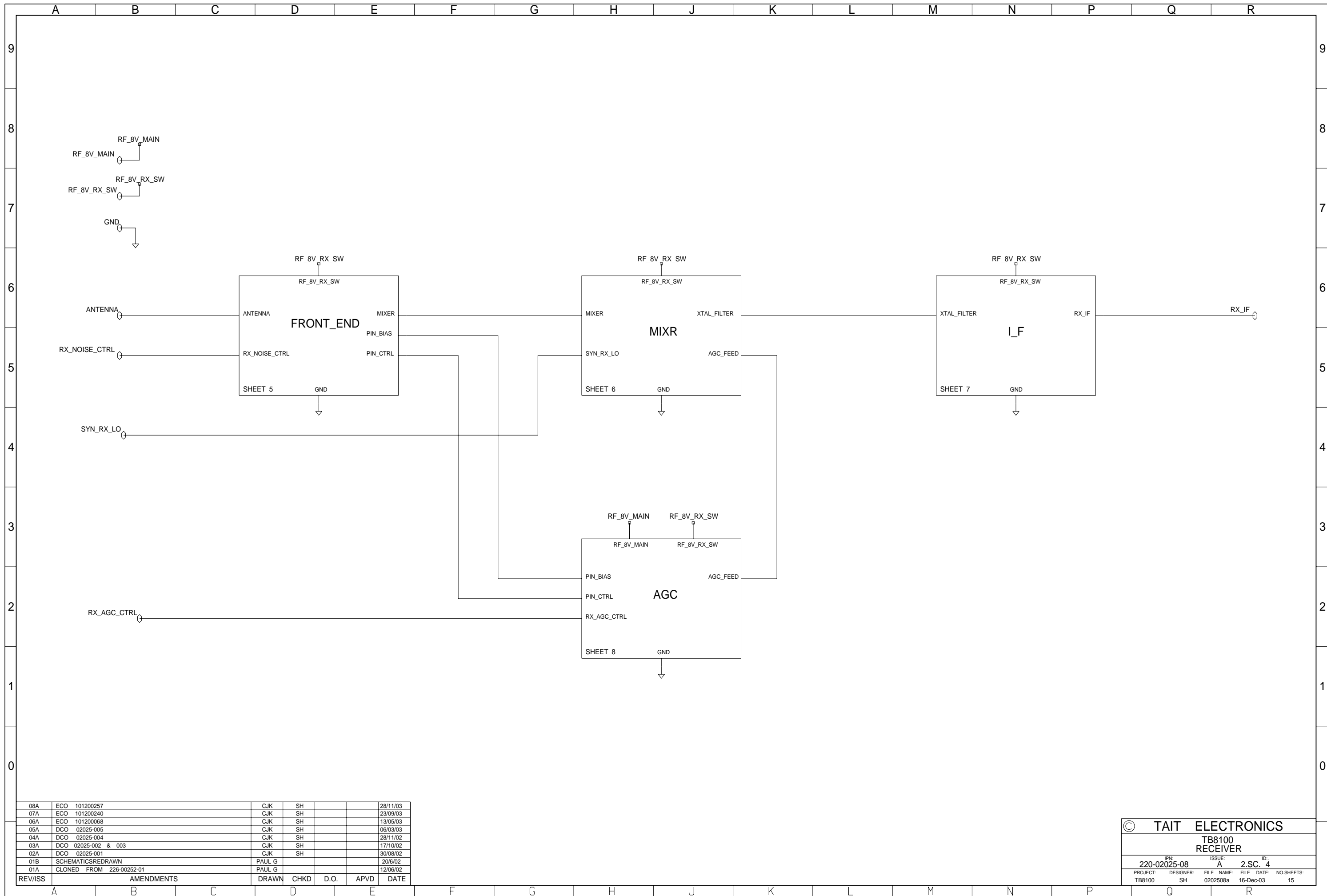
© TAIT ELECTRONICS  
 TB8100  
 POWERSUPPLY  
 IPN: 220-02025-08 ISSUE: A ID: 2.SC. 2  
 PROJECT: TB8100 DESIGNER: SH FILE NAME: 0202508a FILE DATE: 16-Dec-03 NO.SHEETS: 15





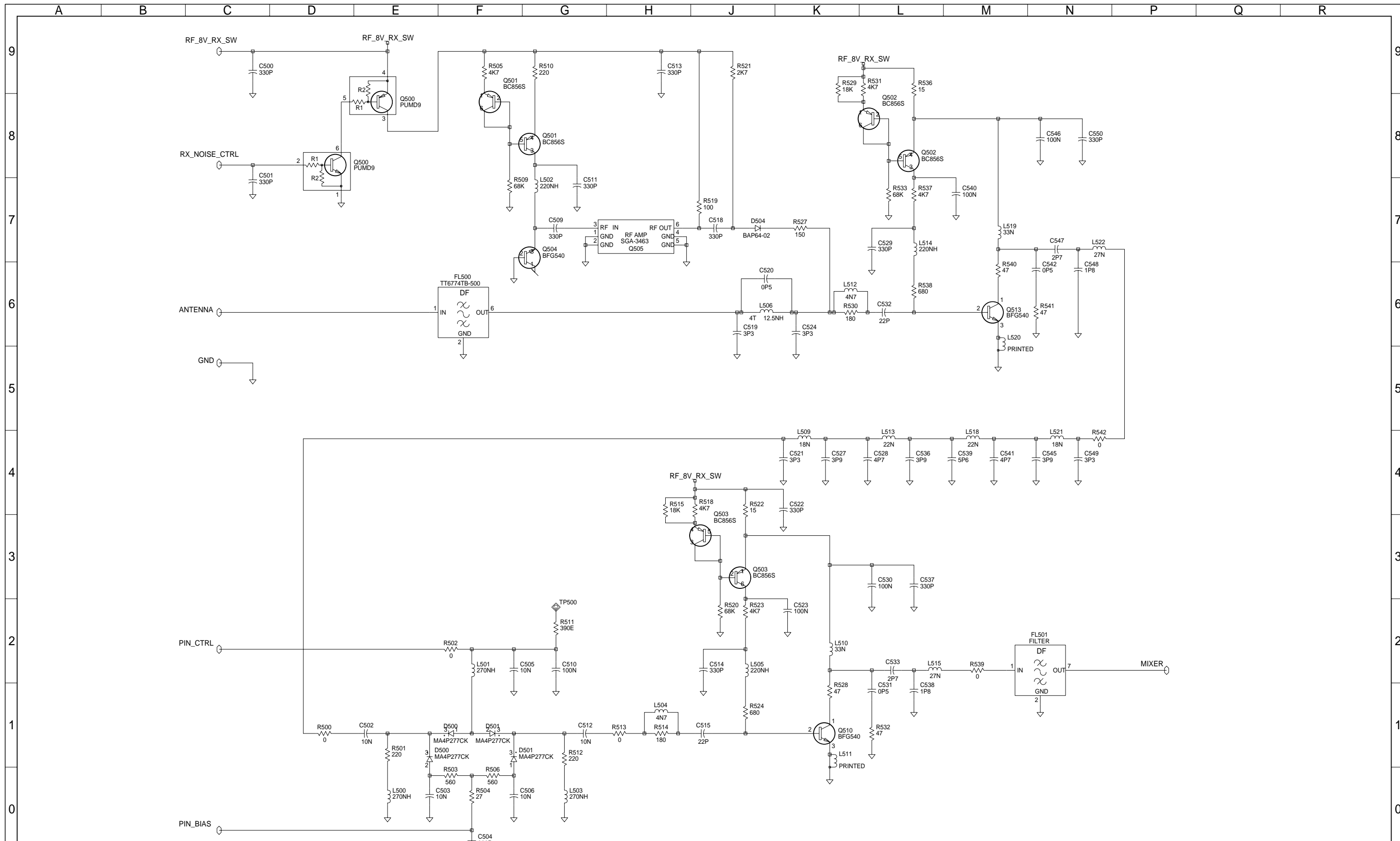
08A	ECO	101200257	CJK	SH		28/11/03
07A	ECO	101200240	CJK	SH		23/09/03
06A	ECO	101200068	CJK	SH		13/05/03
05A	DCO	02025-005	CJK	SH		06/03/03
04A	DCO	02025-004	CJK	SH		28/11/02
03A	DCO	02025-002 & 003	CJK	SH		17/10/02
02A	DCO	02025-001	CJK	SH		30/08/02
01B	SCHEMATICS REDRAWN		PAUL G			20/06/02
01A	CLONED FROM 226-00252-01		PAUL G			12/06/02
REV/ISS	AMENDMENTS		DRAWN	CHKD	D.O.	APVD DATE

© TAIT ELECTRONICS  
 TB8100  
 RF\_CONN  
 IPN: 220-02025-08 ISSUE: A ID: 2.S.C. 3  
 PROJECT: TB8100 DESIGNER: SH FILE NAME: 0202508a FILE DATE: 16-Dec-03 NO. SHEETS: 15

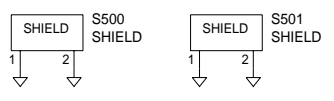


08A	ECO	101200257	CJK	SH		28/11/03
07A	ECO	101200240	CJK	SH		23/09/03
06A	ECO	101200068	CJK	SH		13/05/03
05A	DCO	02025-005	CJK	SH		06/03/03
04A	DCO	02025-004	CJK	SH		28/11/02
03A	DCO	02025-002 & 003	CJK	SH		17/10/02
02A	DCO	02025-001	CJK	SH		30/08/02
01B	SCHEMATICS REDRAWN		PAUL G			20/6/02
01A	CLONED FROM 226-00252-01		PAUL G			12/06/02
REV/ISS	AMENDMENTS		DRAWN	CHKD	D.O.	APVD DATE

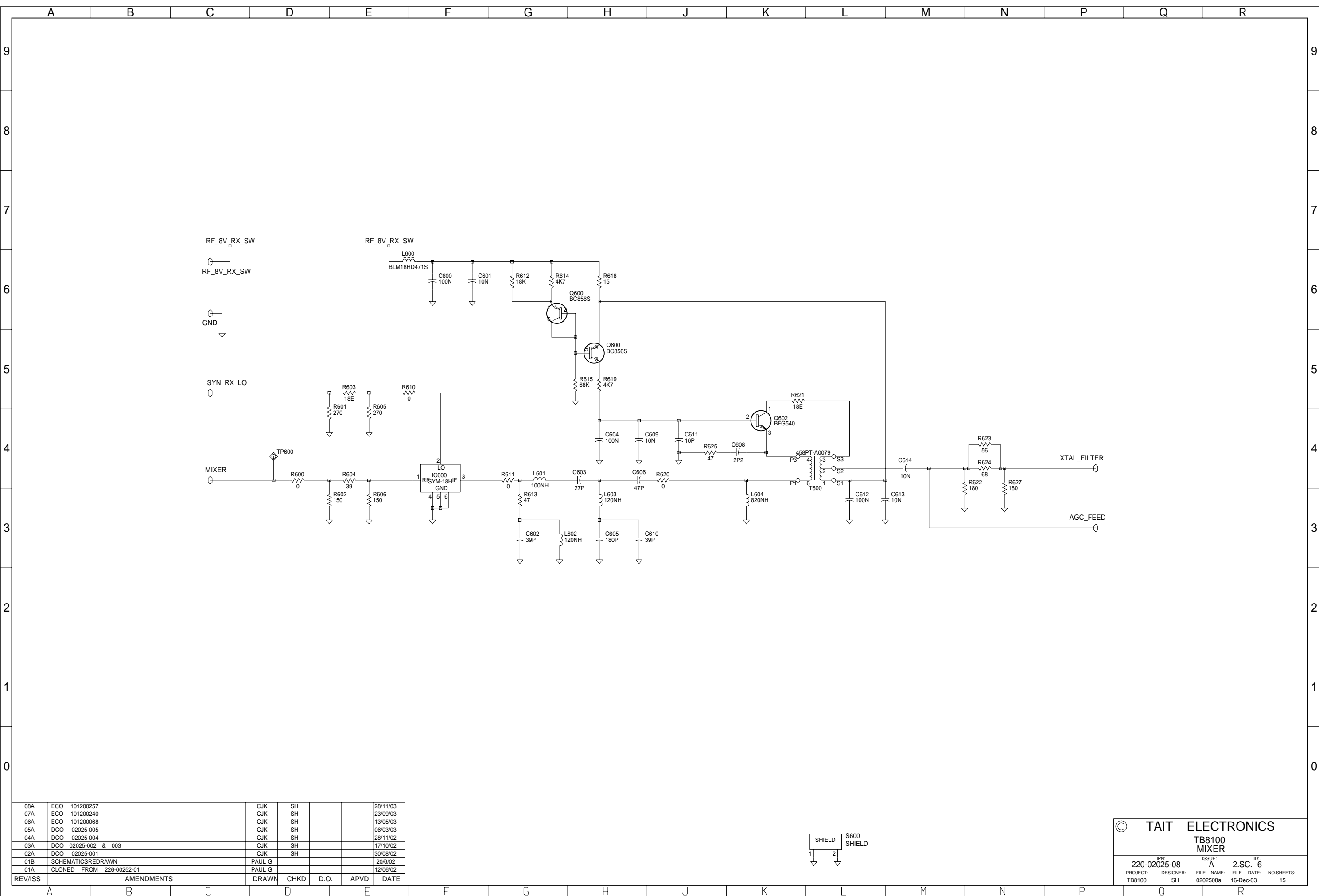
© TAIT ELECTRONICS					
TB8100 RECEIVER					
IPN:	ISSUE:	ID:			
220-02025-08	A	2.S.C. 4			
PROJECT:	DESIGNER:	FILE NAME:	FILE DATE:	NO.SHEETS:	
TB8100	SH	0202508a	16-Dec-03	15	



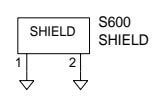
08A	ECO	101200257	CJK	SH		28/11/03
07A	ECO	101200240	CJK	SH		23/09/03
06A	ECO	101200068	CJK	SH		13/05/03
05A	DCO	02025-005	CJK	SH		06/03/03
04A	DCO	02025-004	CJK	SH		28/11/02
03A	DCO	02025-002 & 003	CJK	SH		17/10/02
02A	DCO	02025-001	CJK	SH		30/08/02
01B	SCHEMATICS	REDRAWN	PAUL G			20/06/02
01A	CLONED FROM	226-00252-01	PAUL G			12/06/02
REV/ISS	AMENDMENTS		DRAWN	CHKD	D.O.	APVD DATE



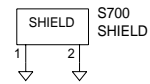
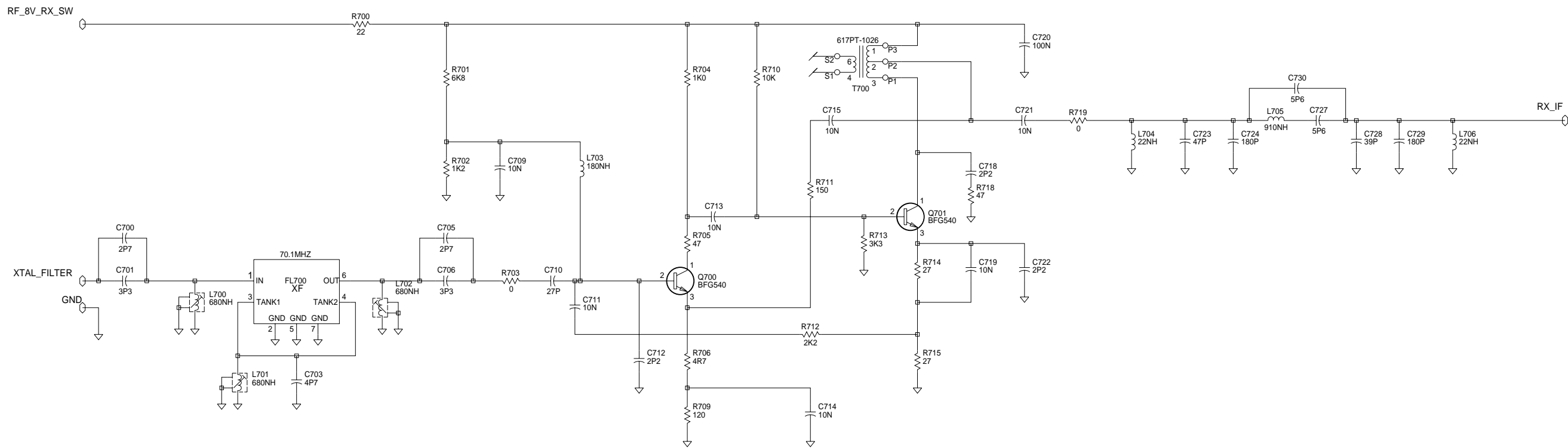
© TAIT ELECTRONICS  
**TB8100 FRONT END**  
 IPN: 220-02025-08 ISSUE: A 2.SC. 5 ID:  
 PROJECT: TB8100 DESIGNER: SH FILE NAME: 0202508a FILE DATE: 16-Dec-03 NO.SHEETS: 15



08A	ECO	101200257	CJK	SH			28/11/03
07A	ECO	101200240	CJK	SH			23/09/03
06A	ECO	101200068	CJK	SH			13/05/03
05A	DCO	02025-005	CJK	SH			06/03/03
04A	DCO	02025-004	CJK	SH			28/11/02
03A	DCO	02025-002 & 003	CJK	SH			17/10/02
02A	DCO	02025-001	CJK	SH			30/08/02
01B	SCHEMATICS REDRAWN		PAUL G				20/06/02
01A	CLONED FROM 226-00252-01		PAUL G				12/06/02
REV/ISS	AMENDMENTS		DRAWN	CHKD	D.O.	APVD	DATE

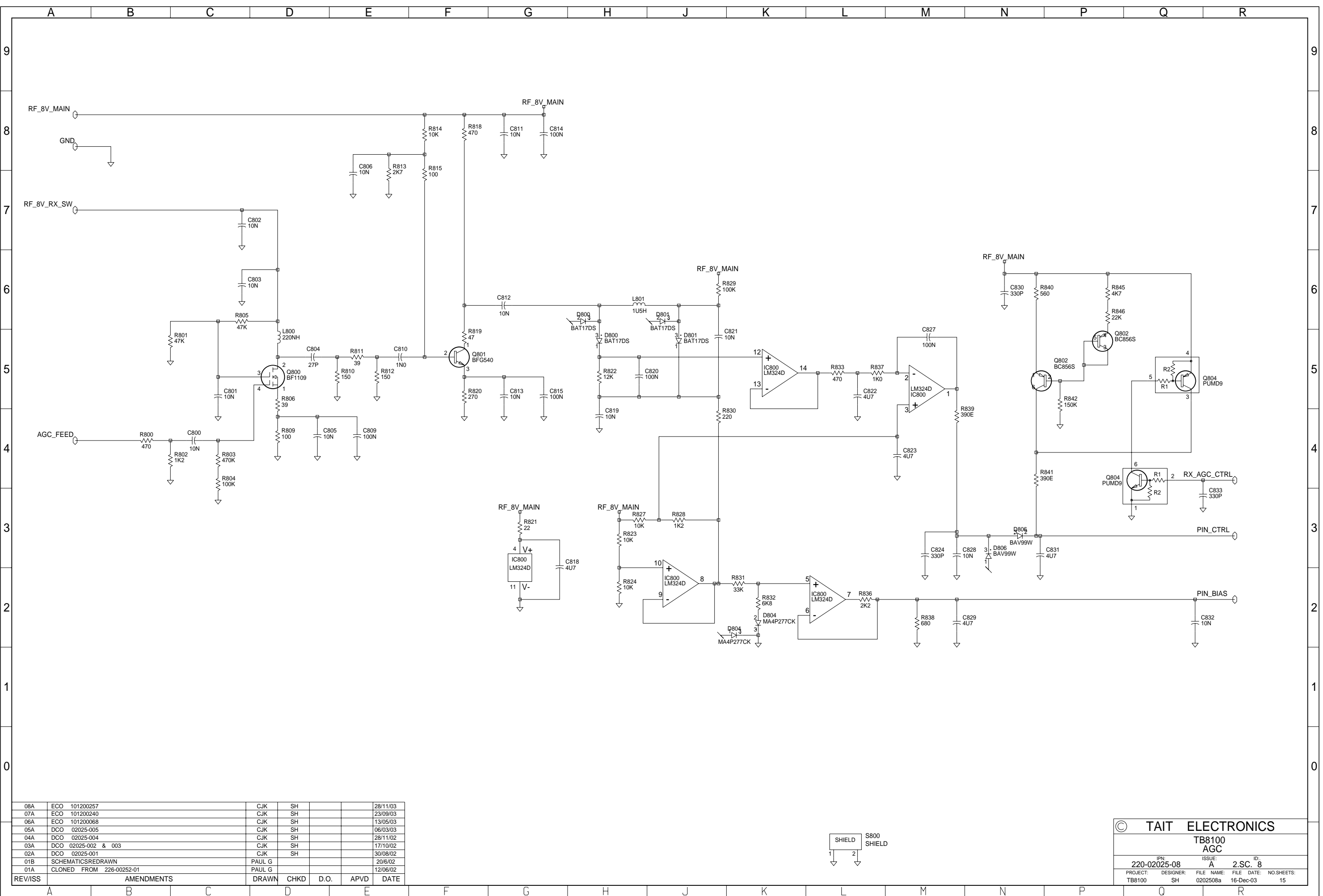


© TAIT ELECTRONICS				
TB8100 MIXER				
IPN:	ISSUE:	FILE NAME:	FILE DATE:	ID:
220-02025-08	A	2.SC. 6	16-Dec-03	15
PROJECT:	DESIGNER:	FILE NAME:	FILE DATE:	NO. SHEETS:
TB8100	SH	0202508a	16-Dec-03	15

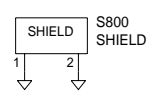


08A	ECO	101200257	CJK	SH			28/11/03
07A	ECO	101200240	CJK	SH			23/09/03
06A	ECO	101200068	CJK	SH			13/05/03
05A	DCO	02025-005	CJK	SH			06/03/03
04A	DCO	02025-004	CJK	SH			28/11/02
03A	DCO	02025-002 & 003	CJK	SH			17/10/02
02A	DCO	02025-001	CJK	SH			30/08/02
01B	SCHEMATICS	REDRAWN	PAUL G				20/6/02
01A	CLONED FROM	226-00252-01	PAUL G				12/06/02
REV/ISS	AMENDMENTS		DRAWN	CHKD	D.O.	APVD	DATE

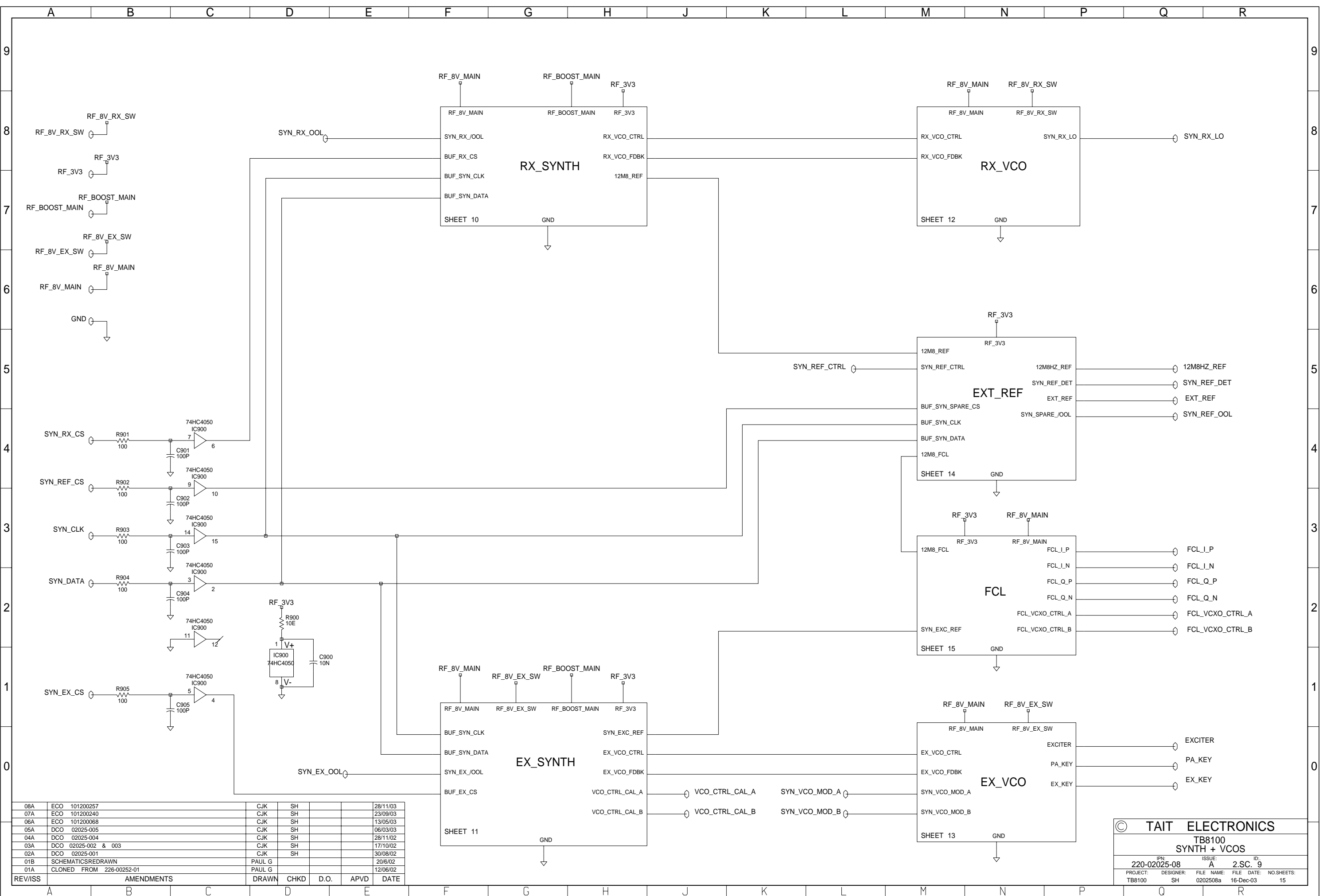
© TAIT ELECTRONICS				
TB8100				
IF				
IPN:	ISSUE:	FILE NAME:	FILE DATE:	ID:
220-02025-08	A	2.SC.	7	
PROJECT:	DESIGNER:	FILE NAME:	FILE DATE:	NO.SHEETS:
TB8100	SH	0202508a	16-Dec-03	15



08A	ECO	101200257	CJK	SH			28/11/03
07A	ECO	101200240	CJK	SH			23/09/03
06A	ECO	101200068	CJK	SH			13/05/03
05A	DCO	02025-005	CJK	SH			06/03/03
04A	DCO	02025-004	CJK	SH			28/11/02
03A	DCO	02025-002 & 003	CJK	SH			17/10/02
02A	DCO	02025-001	CJK	SH			30/08/02
01B	SCHEMATICS REDRAWN		PAUL G				20/06/02
01A	CLONED FROM 226-00252-01		PAUL G				12/06/02
REV/ISS	AMENDMENTS		DRAWN	CHKD	D.O.	APVD	DATE



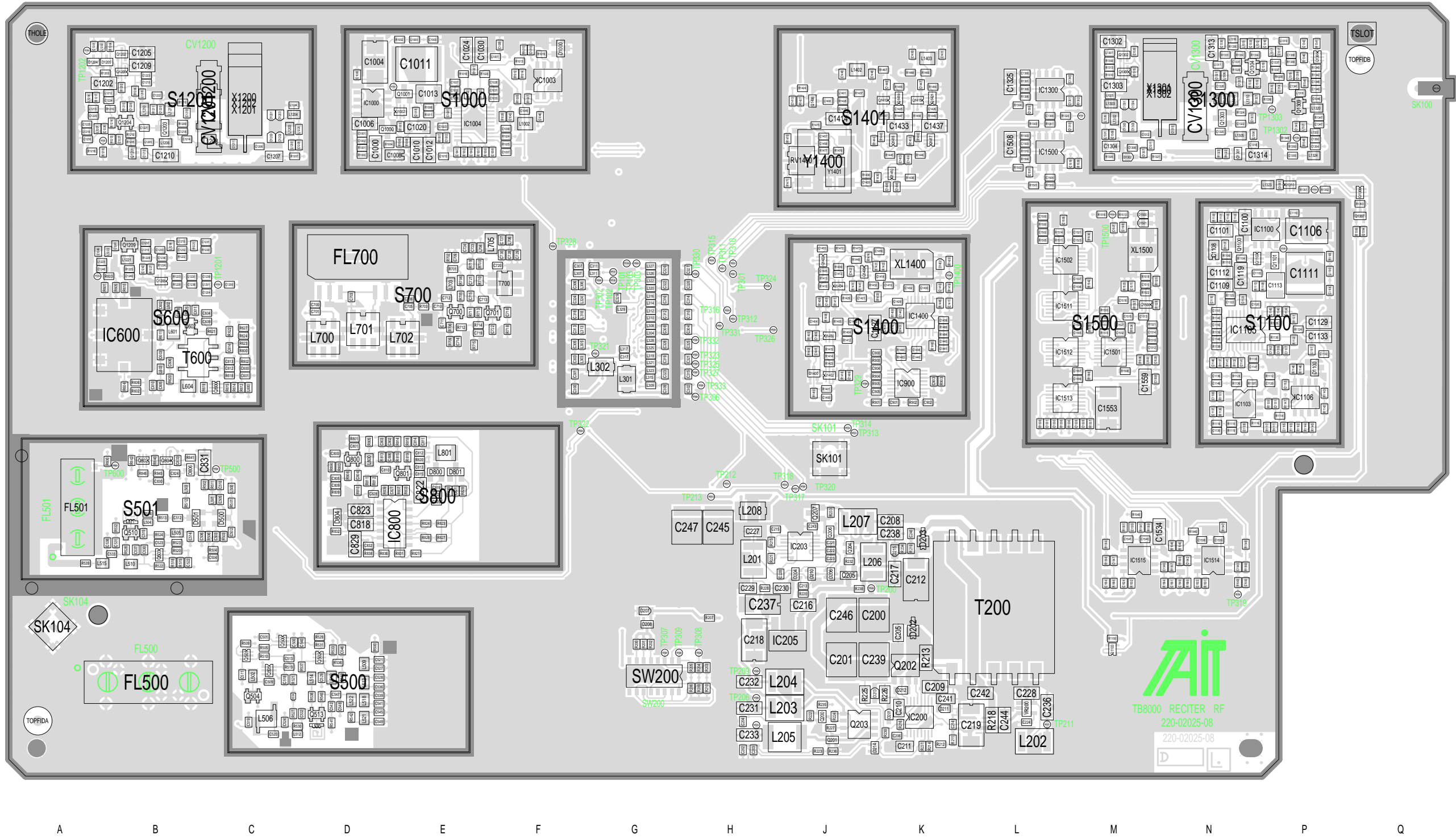
© TAIT ELECTRONICS			
TB8100			
AGC			
IPN:	ISSUE:	FILE NAME:	ID:
220-02025-08	A	2.SC. 8	
PROJECT:	DESIGNER:	FILE DATE:	NO. SHEETS:
TB8100	SH	0202508a	16-Dec-03 15



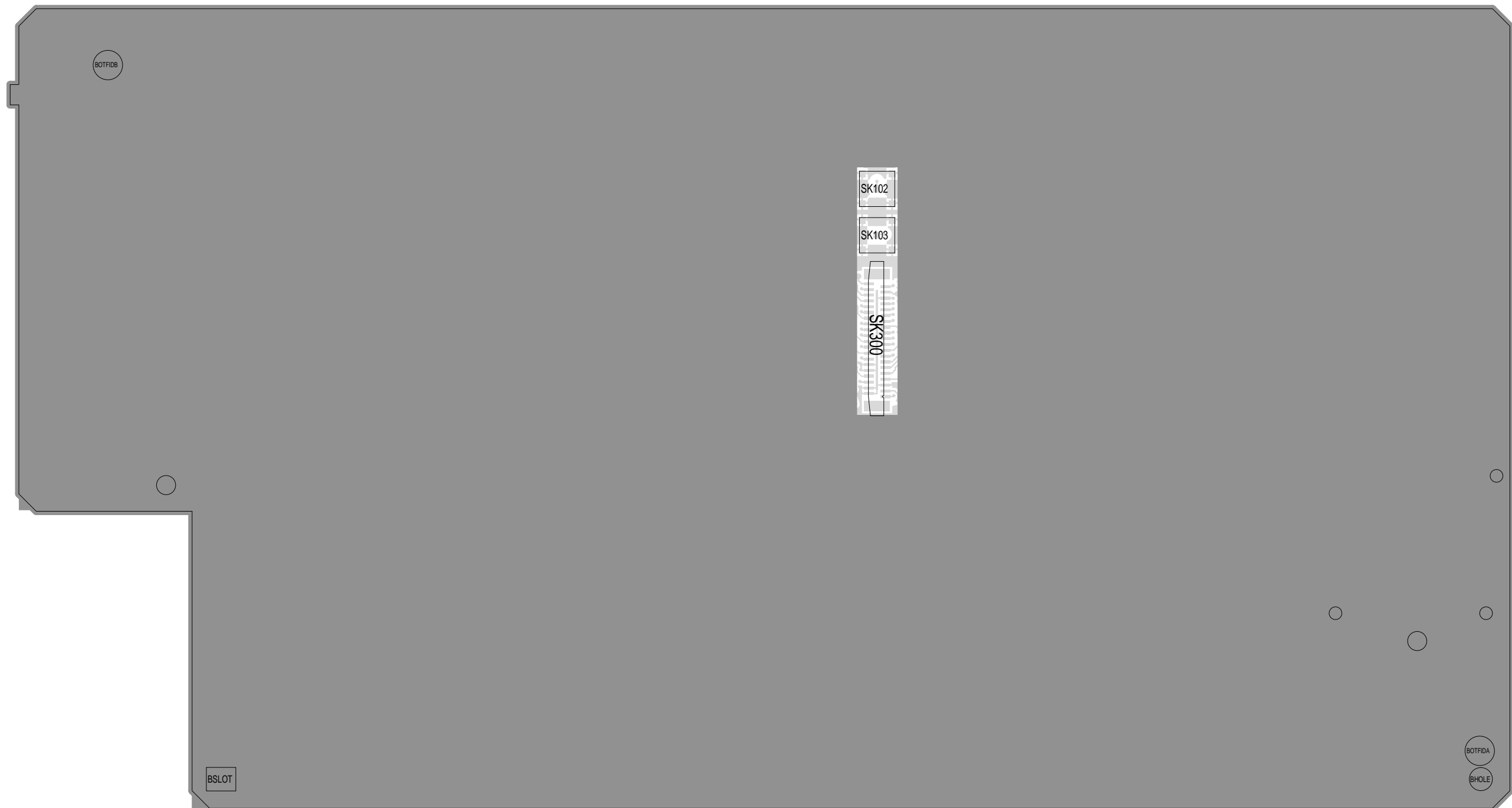
08A	ECO	101200257	CJK	SH		28/11/03
07A	ECO	101200240	CJK	SH		23/09/03
06A	ECO	101200068	CJK	SH		13/05/03
05A	DCO	02025-005	CJK	SH		06/03/03
04A	DCO	02025-004	CJK	SH		28/11/02
03A	DCO	02025-002 & 003	CJK	SH		17/10/02
02A	DCO	02025-001	CJK	SH		30/08/02
01B	SCHEMATICS	REDRAWN	PAUL G			20/06/02
01A	CLONED	FROM 226-00252-01	PAUL G			12/06/02
REV/ISS	AMENDMENTS		DRAWN	CHKD	D.O.	APVD DATE

© TAIT ELECTRONICS  
 TB8100  
 SYNTH + VCOS  
 IPN: 220-02025-08 ISSUE: A ID: 2.S.C. 9  
 PROJECT: TB8100 DESIGNER: SH FILE NAME: 0202508a FILE DATE: 16-Dec-03 NO.SHEETS: 15

9  
8  
7  
6  
5  
4  
3  
2  
1







Q P N M L K J H G F E D C B A

9  
8  
7  
6  
5  
4  
3  
2  
1

TAIT ELECTRONICS	IPN: 220-02025-08	ISS: A	ID: 4.BA	DATE: 4 Dec 2003
RECITER4_RF PCB LAYOUT - BOTTOM SIDE				

Scale: 1.3:1 ; Rotation: 0 degrees